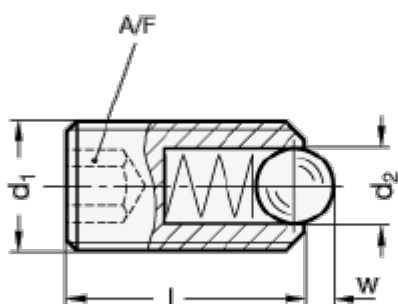


Article number: 206153M10KNPFB

Description: E+G stainless steel spring plungers 615.3-M10-KN-PFB

Measures



Thread locking **PFB**
Polyamide patch
for type **KN**



Thread locking **PFB**
Polyamide patch
for type **KSN**



Thread locking **MVK**
Micro encapsulation precote
(for all types)

A/F	= 5
d1	= M10
d2	= 6
l	= 23
Max. spring load in N	= 45
Preload spring pressure in N	= 24
w	= 2